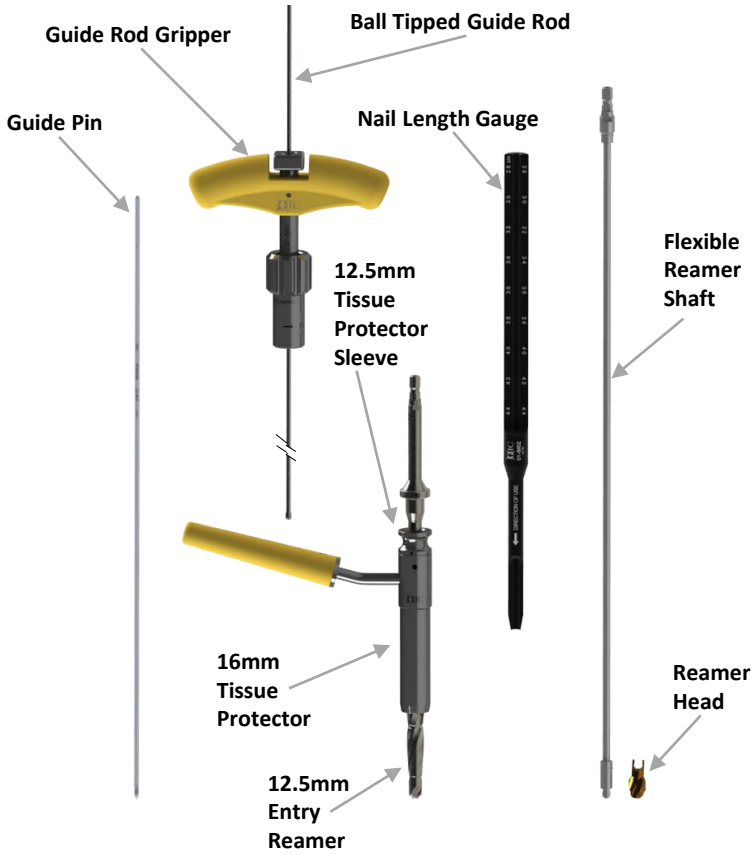


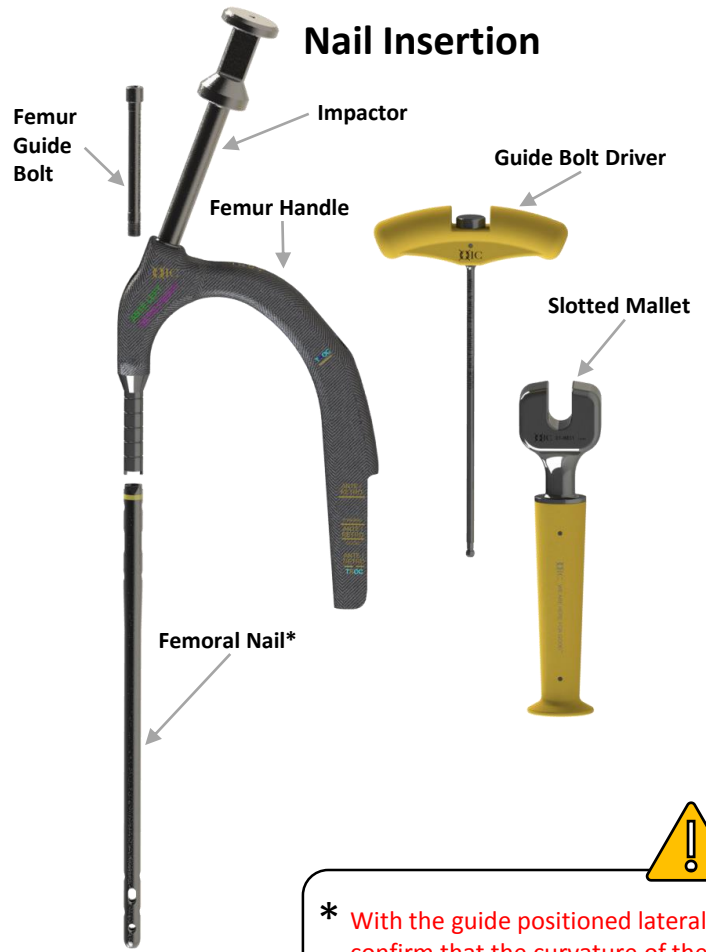
Trays Needed:
 IM Nail Base Tray
 Hip/Femur Tray
 Antegrade/Retrograde Nails

OIC FEMORAL NAIL SYSTEM: Setup Guide

Bone Preparation



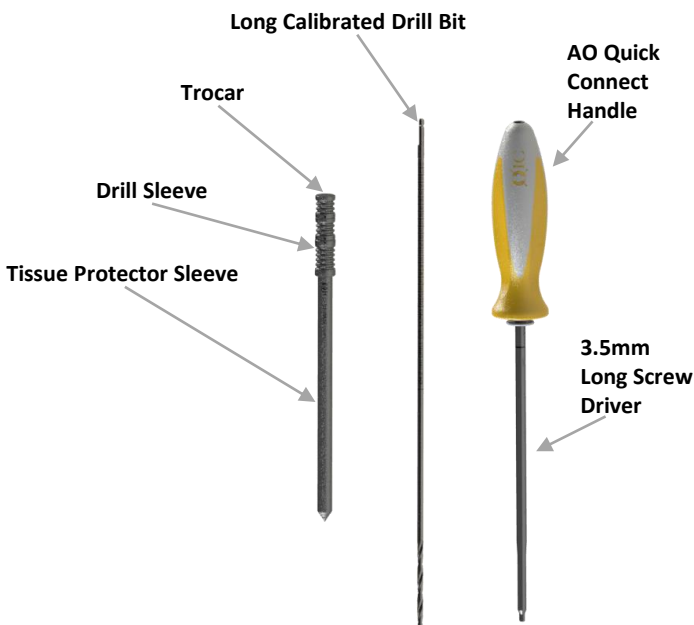
Nail Insertion



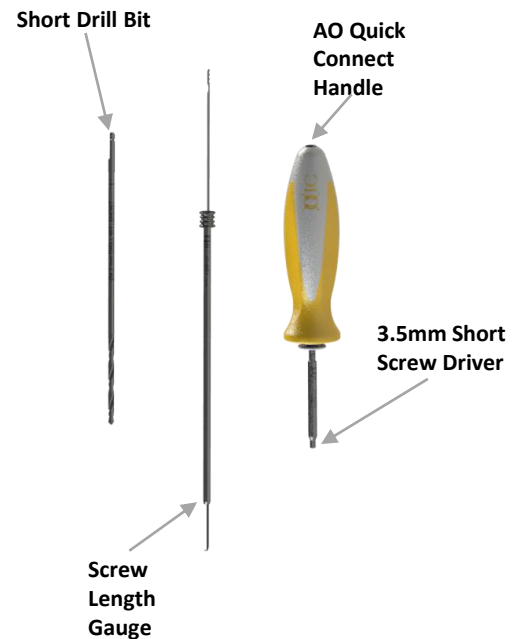
***** With the guide positioned laterally, confirm that the curvature of the nail matches that of the femur.

Antegrade

Distal Cross Lock Screw Insertion



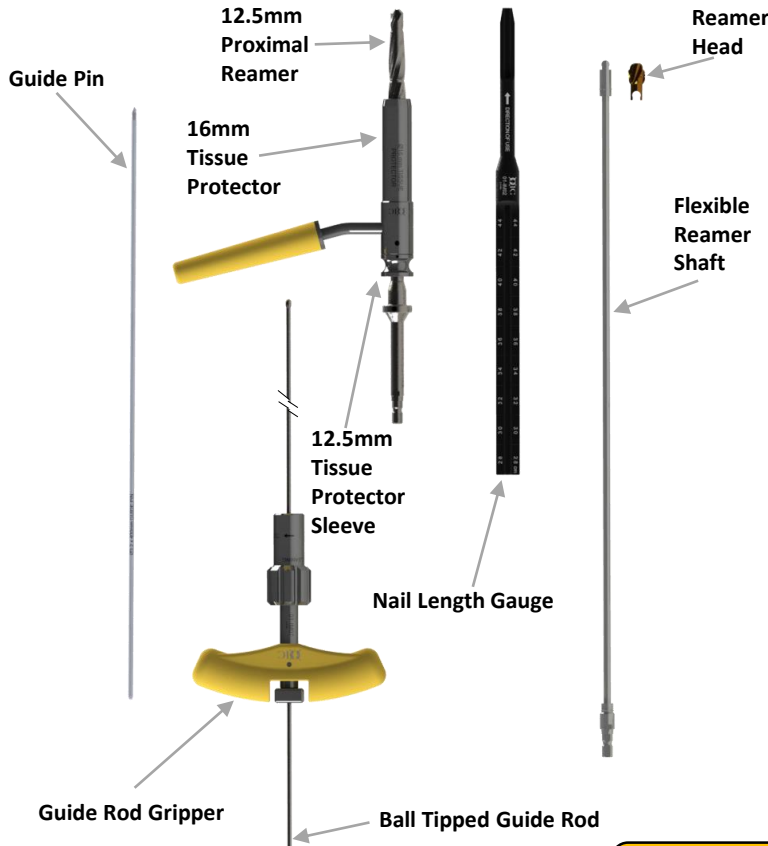
Proximal Cross Lock Screw Insertion



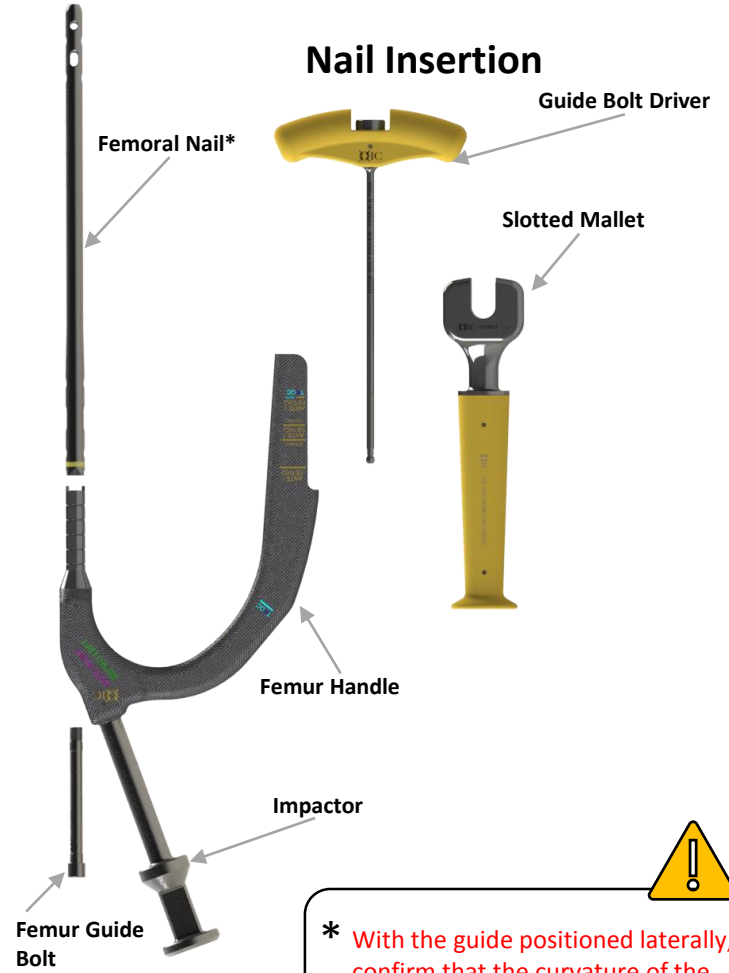
Trays Needed:
 IM Nail Base Tray
 Hip/Femur Tray
 Antegrade/Retrograde Nails

OIC FEMORAL NAIL SYSTEM: Setup Guide

Bone Preparation



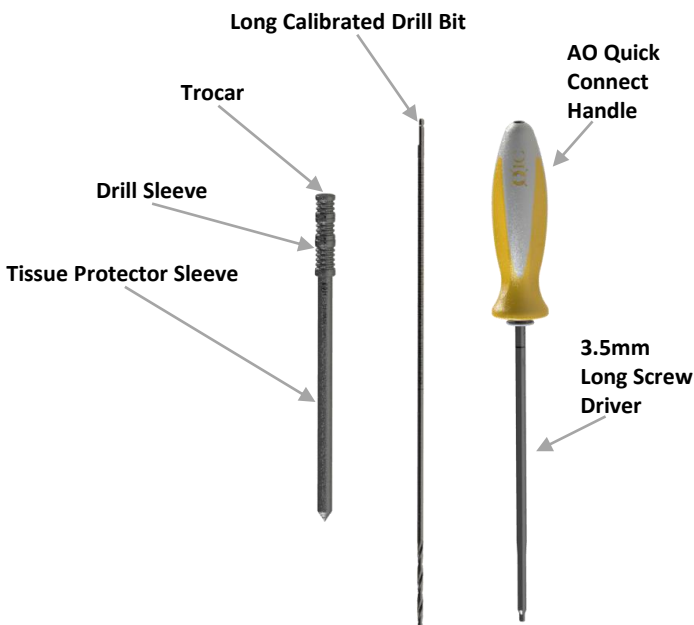
Nail Insertion



***** With the guide positioned laterally, confirm that the curvature of the nail matches that of the femur.

Retrograde

Distal Cross Lock Screw Insertion



Proximal Cross Lock Screw Insertion

